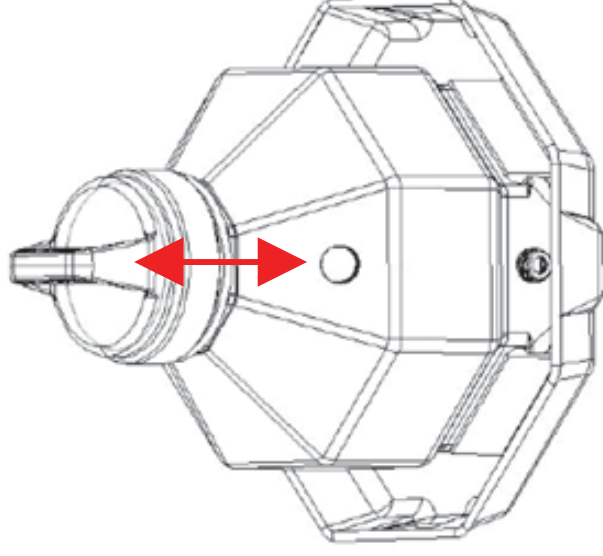




IMPORTANT

To enhance bottle performance & vacuum seal:

- Ensure bottle neck, cap and O-ring are clean and free of debris
- Remove O-ring and lightly coat with olive oil and replace. Turn cap fully on then back cap off 1/2 turn (handle should line up with small cap – see picture at right)



Replacement O-rings: PPF310KIT

Miller Manufacturing Company · Glencoe, MN 55336 USA
www.miller-mfg.com
Customer Service: 800.260.0888