



INSTRUCTIONS FOR SINGLE DOOR LIVE ANIMAL TRAPS



- Use caution when transporting and/or releasing animals caged in the Live Trap. Be careful to keep hands and fingers away from the animal. Some trapped animals may become aggressive.
- Keep hands and fingers clear of the Door and Door Brace area when tripping the Live Trap.

HELPFUL HINTS:

- For improved Live Trap performance, clean the Live Trap between uses to eliminate unwanted animal and/or bait odors.

WARRANTY:

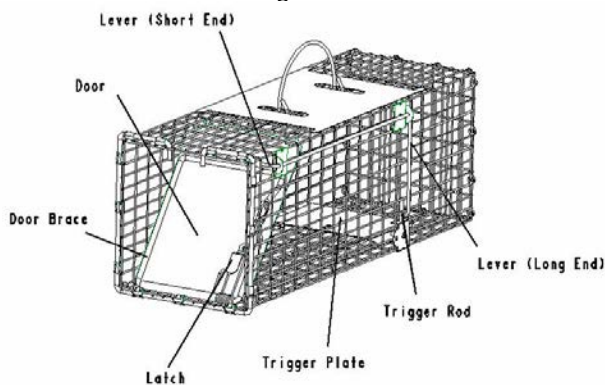
Miller Manufacturing Company warrants to the original purchaser that the live traps are to be free from defects in material and workmanship for one year from the date of purchase when used under normal use and service. Please return the defective trap with proof of purchase, description of the defect and contact information to the address below – attention: Return Department.

UNPACKING THE TRAP:

1. Make sure there is no damage from shipping.
2. All parts should move freely.

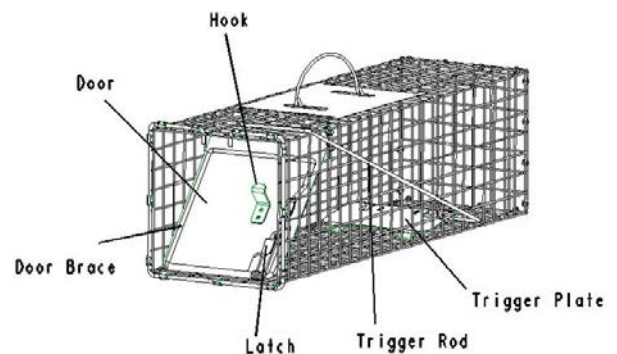
Model LT1

Figure 1



Models LT2, LT3, LT4 & LT5

Figure 2



SETTING THE TRAP:

1. Set the trap on a flat surface.
2. Refer to figure 1.
3. Lift long end of the movable **Lever** to horizontal position.
4. Press the **Door Brace** fully down against the **Door**.
5. **This step is optional:** Rotate the **Latch** so that it secures the **Door Brace** against the **Door**.
6. With **Door Brace** depressed and **Lever** in horizontal position, raise the **Door** up until it touches the ceiling of the cage. Make sure the short end of the **Lever** is under the **Door**.
7. **VERY IMPORTANT:** If Step 5 was done, now rotate **Latch** to release **Door Brace**.
8. Place long end of the **Lever** on inside of **Trigger Rod** and release the **Door** slowly. The trap is now set.

Note: If the trap is too sensitive, file a flat on both the **Lever** and the **Trigger Rod** where they meet.

TESTING THE TRAP:

1. Insert a stick or pencil through the trap and press down on the front or rear edge of the **Trigger Plate**. This will trip the trap causing the **Door** to spring shut.

BAITING THE TRAP:

1. Use the Bait Reference Chart on the back of this instruction sheet to select the proper bait.
2. Carefully place bait centered on the cage floor slightly behind the **Trigger Plate**.
3. Re-set the trap as instructed.

RELEASING THE ANIMAL:

1. Press the **Door Brace** down against the **Door**.
2. Rotate the **Latch** over the top of the **Door Brace**, securing the **Door Brace** against the **Door**. The trap is ready for release of the animal.
3. Turn the cage over on its top. The **Door** will automatically open, allowing the animal to escape.

SETTING THE TRAP:

1. Set the trap on a flat surface.
2. Refer to figure 2.
3. With the **Door** facing you, press the **Door Brace** fully down against the **Door**.
4. **This step is optional:** Rotate the **Latch** so that it secures the **Door Brace** against the **Door**.
5. With your left hand, pull the **Door** up until it touches the ceiling of the cage.
6. With your right hand, grasp the short section of the **Trigger Rod** that is resting on top of the trap. Pull the **Trigger Rod** underneath the **Hook**. For a less sensitive release setting, position the trigger rod deeper under the hook. For a more sensitive release setting, position trigger rod near the tip of the hook. **VERY IMPORTANT:** If Step 4 was done, now rotate **Latch** to release **Door Brace**.
7. The trap is now set.

TESTING THE TRAP:

1. Insert a stick or pencil through the trap and press down on the back edge of the **Trigger Plate**. This will trip the trap causing the **Door** to spring shut.

BAITING THE TRAP:

1. Use the Bait Reference Chart on the back of this instruction sheet to select the proper bait.
2. Carefully place bait centered on the floor of the cage slightly behind the **Trigger Plate**.
3. Re-set the trap as instructed.

RELEASING THE ANIMAL:

1. Press the **Door Brace** down against the **Door**.
2. Rotate the **Latch** over the top of the **Door Brace**, securing the **Door Brace** against the **Door**. The trap is ready for release of the animal.
3. Turn the cage over on its top. The **Door** will automatically open, allowing the animal to escape.



INSTRUCTIONS FOR DOUBLE DOOR LIVE ANIMAL TRAPS

CAUTION

- Use caution when transporting and/or releasing animals caged in the Live Trap. Be careful to keep hands and fingers away from the animal. Some trapped animals may become aggressive.
- Keep hands and fingers clear of the Door and Door Brace area when tripping the Live Trap.

HELPFUL HINTS:

- For improved Live Trap performance, clean the Live Trap between uses to eliminate unwanted animal and/or bait odors.

WARRANTY:

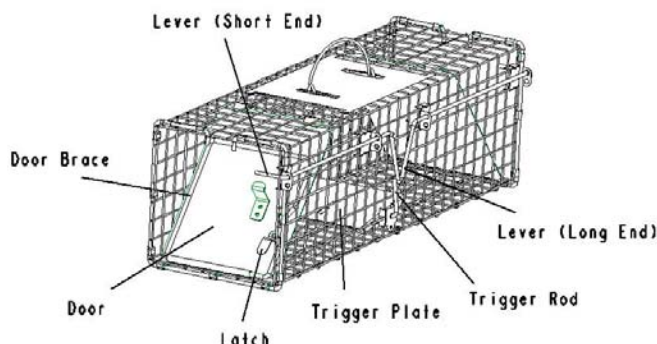
Miller Manufacturing Company warrants to the original purchaser that the live traps are to be free from defects in material and workmanship for one year from the date of purchase when used under normal use and service. Please return the defective trap with proof of purchase, description of the defect and contact information to the address below – attention: Return Department.

UNPACKING THE TRAP:

1. Make sure there is no damage from shipping.
2. All parts should move freely.

Models DDLT1, DDLT2 & DDLT4

Figure 3



SETTING THE TRAP:

1. Set the trap on a flat surface.
2. Refer to figure 3.
3. Press the **Door Brace** fully down against the **Door**.
4. Rotate the **Latch** so that it secures the **Door Brace** against the **Door**.
5. Repeat steps 3 and 4 for the second **Door**.
6. Raise the **Lever** so the point of the "V" points upward.
7. Tip the trap on its side far enough so that the **Doors** will fall to the top of the trap.

8. Keeping the **Doors** against the ceiling of the cage, return the **Lever** to its original position so that the point of the "V" is pointing to the bottom of the trap. Make sure the short ends of the **Lever** are positioned underneath the **Doors**.
9. Return the trap to its upright position.
10. Now position the **Trigger Rod** so it rests in the center of the "V" on the **Lever**.
11. **VERY IMPORTANT:** Release the **Latches** from the **Door Brace**. The trap is now set.

TESTING THE TRAP:

1. Insert a stick or pencil through the trap and press down on the front edge or rear edge of the **Trigger Plate**. This will trip the trap causing the **Door** to spring shut.

BAITING THE TRAP:

1. Use the Bait Reference Chart below to select the proper bait.
2. Carefully place the bait on the center of the **Trigger Plate**.
3. Re-set the trap as instructed.

RELEASING THE ANIMAL:

1. Press the **Door Brace** down against the **Door** on either end of the trap.
2. Rotate the **Latch** over the top of the **Door Brace**, securing the **Door Brace** against the **Door**. The trap is ready for release of the animal.
3. Turn the cage over on its top. The **Door** will automatically open, allowing the animal to escape.

BAIT REFERENCE CHART:

Model	Animal	Recommended Bait
LT1 6x6x18	Mice	Oatmeal, Peanut Butter, Scratch Grain
DDL1 6x6x18	Rat, Chipmunk	Peanuts or other Nuts
	Weasel	Fresh Liver
	Squirrel	Corn, Sunflower Seeds
LT2 7x7x24	Weasel	Fresh Liver
DDL2 7x7x24	Rabbit, Mink, Muskrat	Fresh Vegetables, Apples
	Squirrel	Corn, Sunflowers Seeds
LT3 8x10x24		
LT4 10x12x32	Rabbit, Mink	Fresh Vegetables, Apples
DDL4 10x12x36	Squirrel	Corn, Sunflower Seeds
	Raccoon	Sardines, Jelly, Fruit, Mini-marshmallows
	Skunk	Preserves, Fresh Meat
LT5 16x16x42	Opossum	Preserves
	Armadillo	Meal Worms, Sardines, Fish
	Woodchuck	Vegetables
	Cat	Sardines, Fish, Canned Cat Food