



ACCESSORIES THAT CAN BE PURCHASED SEPARATELY FOR YOUR RABBIT HUTCH

1) FRAMEKITS

Model AHFK24 Frame Kit (used for: Model AH2424)

Model AHFK30 FrameKit (used for: Model AH3030 and Model AH3036 Rabbit Hutches)

By using rabbit hutch frame kits, you can stack rabbit hutch up to 4 high to conserve space. You can also use a frame kit and dropping pan to provide convenient storage space under hutch (See Rabbit Hutch Assembly Diagram).

2) SMALL ANIMAL FEEDERS

Feeders are available in 3", 5" and 7" lengths with metal or sifter bottoms.

They are also available with or without lids.

Feeders allow convenient filling from outside the hutch. Cut wire the same width of feeder as shown in figure 2. Insert feeder trough into hutch and hook to hutch wire.

3) URINE GUARDS

AUG2424 Urine Guard Kit (used for AH2424 Rabbit Hutch)

AUG3030 Urine Guard Kit (used for AH3030 Rabbit Hutch)

AUG3036 Urine Guard Kit (used for AH3036 Rabbit Hutch)

Urine guards hook over the wire inside the hutch on the back and side panels to deflect urine into dropping pan for better sanitation (See Rabbit Hutch Assembly Diagram).

4) DROPPING PANS

ADP2424 Dropping Pan (used for AH2424 Rabbit Hutch)

ADP3030 Dropping Pan (used for AH3030 Rabbit Hutch)

ADP3036 Dropping Pan (used for AH3036 Rabbit Hutch)

Dropping pans slide under the hutch to catch the waste from rabbit (See Rabbit Hutch Assembly Diagram).

5) SMALL ANIMAL WATER BOTTLES

AW8 8 oz., AW16 16 oz. and AW32 32 oz. Little Giant Water Bottles fasten easily to outside of cage (See Rabbit Hutch Assembly Diagram).

6) ACU5 CAGE CUP

Cup is fastened to inside of cage with tabs on back of cup (See Rabbit Hutch Assembly Diagram).

7) SSH2 SALT SPOOL AND HOLDER

Salt Spool and holder may be attached to the side or top of the cage (not shown).

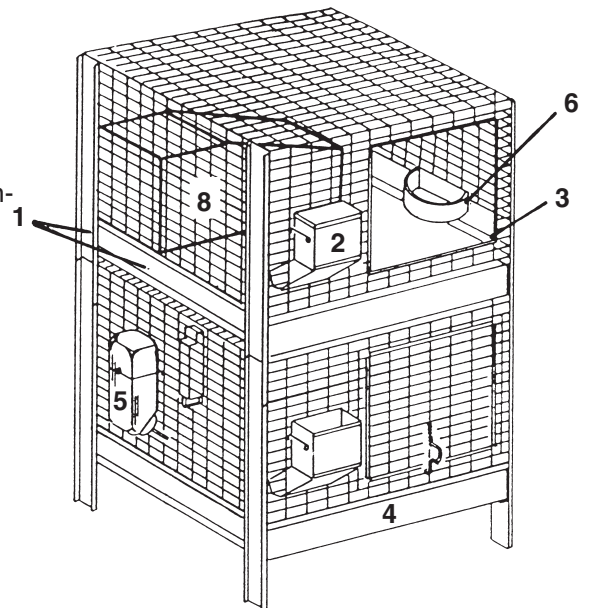
8) ANIMAL NEST

AN1 Animal Nest

Nest boxes are used for new born litters. (See Rabbit Hutch Assembly Diagram).

9) ACP2 WIRE CLIP PLIERS

This tool is a must when assembling the rabbit hutch. Using *Little Giant* Wire Cage Clips, ordinary pliers will mash rather than curl the clip around the wire (not shown).



**RABBIT HUTCH ASSEMBLY
DIAGRAM**

MILLER MANUFACTURING COMPANY

1450 W. 13th Street, Glencoe, MN 55336 • Phone (651) 982-5100 Fax (651) 982-5101

www.miller-mfg.com



URINE GUARD KIT ASSEMBLY INSTRUCTIONS

AUG2424 Urine Guard Kit (used on Model AH2424 Rabbit Hutch and APP24 Large Pet Pen)

AUG3030 Urine Guard Kit (used on Model AH3030 Rabbit Hutch)

AUG3036 Urine Guard Kit (used on Model AH3036 Rabbit Hutch)

Each Urine Guard Kit Contains (see Fig. 1)

- 2Side Urine Guards
- 1Back Urine Guards

Step 1: Lift tabs on all three Urine Guards, as illustrated on side Urine Guard(see fig. 2)

Step 2: Install Back Urine Guard inside cage. Back Urine Guards have bends at each end (see fig. 2). Bend tabs back over wire.

Step 3: Install Side Urine Guards. Side Urine Guards are the two that are identical (see fig. 1). Bend tabs back over wire.

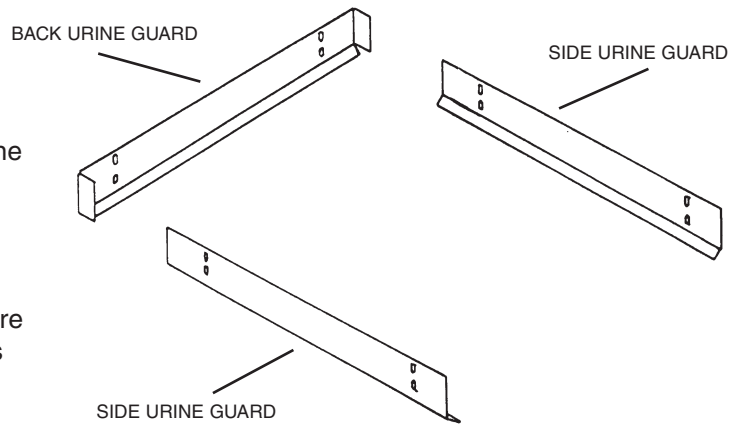


Figure 1

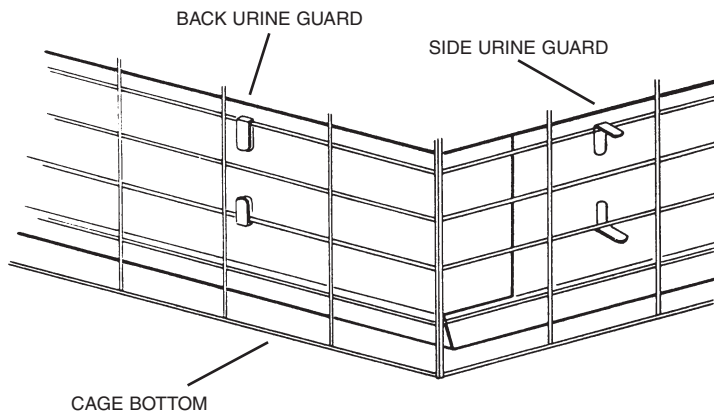


Figure 2